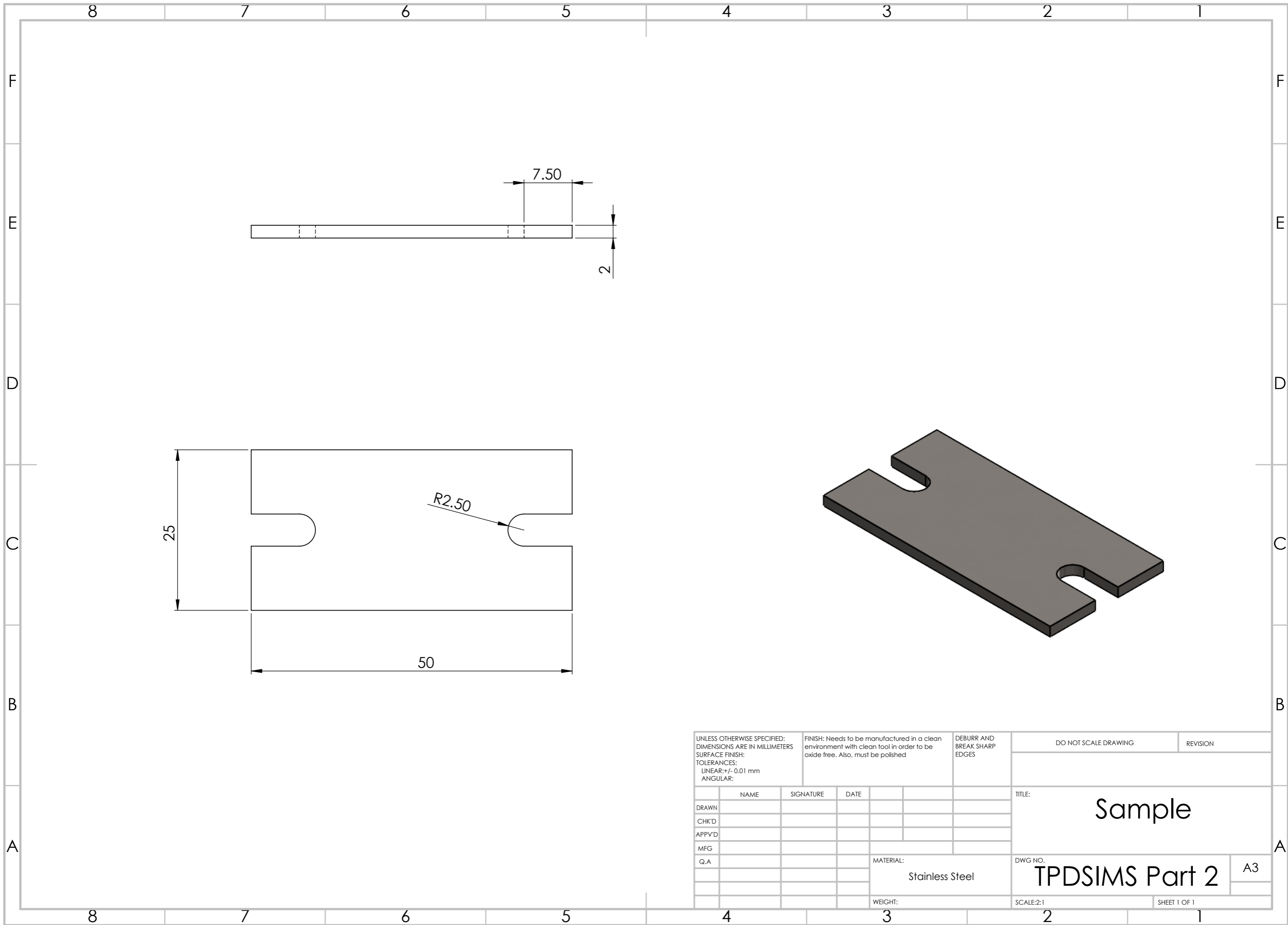
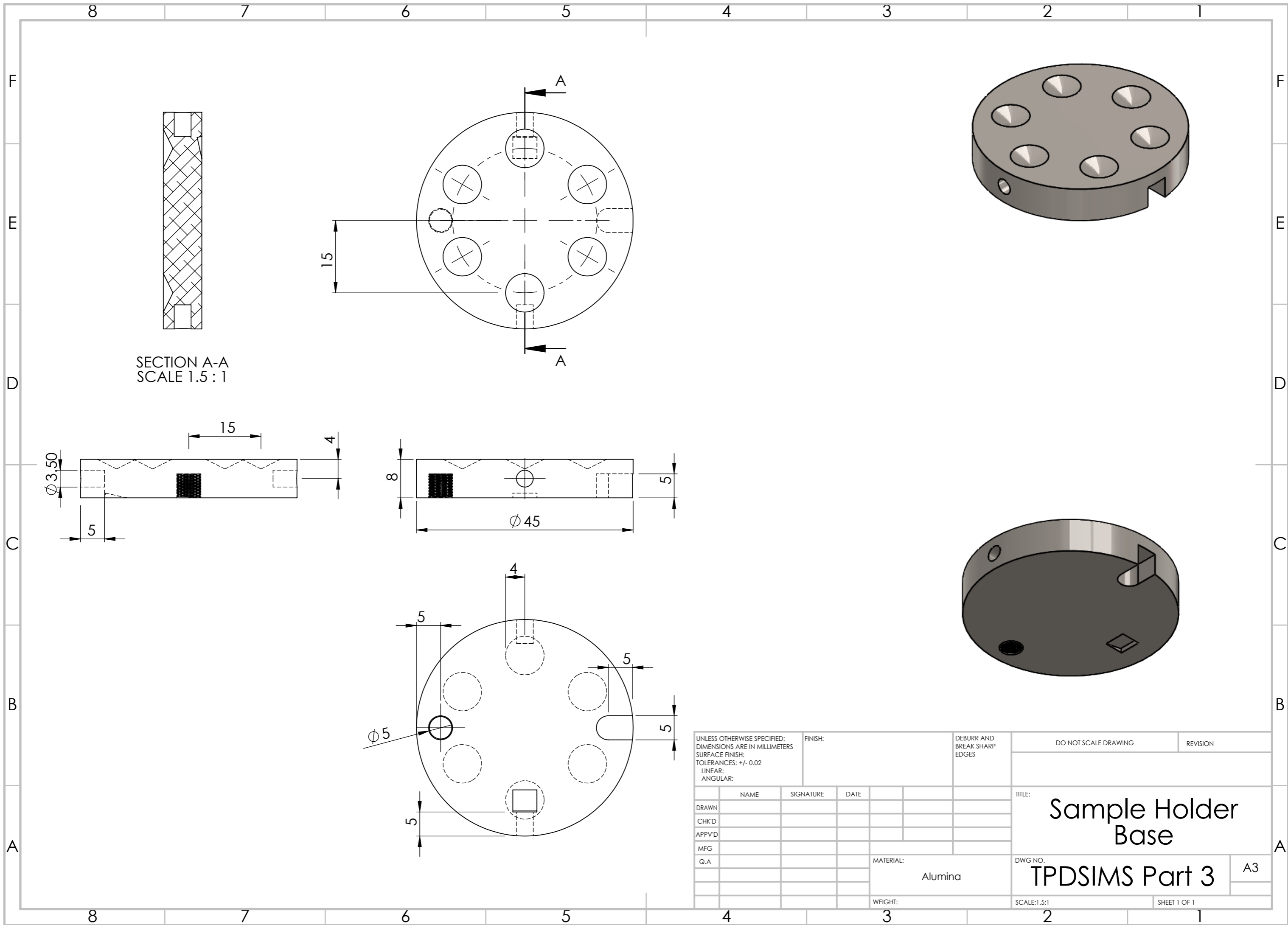


UNLESS OTHERWISE SPECIFIED: DIMENSIONS ARE IN MILLIMETERS SURFACE FINISH: TOLERANCES: LINEAR: +/- 0.02 mm ANGULAR:				FINISH:		DEBURR AND BREAK SHARP EDGES		DO NOT SCALE DRAWING		REVISION	
DRAWN				NAME		SIGNATURE		DATE		TITLE: Copper Clamps	
CHK'D										DWG NO. TPDSIMS Part 1	
APPV'D										A3	
MFG										SCALE:3:1	
Q.A								MATERIAL: Copper		SHEET 1 OF 3	
								WEIGHT:			



UNLESS OTHERWISE SPECIFIED: DIMENSIONS ARE IN MILLIMETERS		FINISH: Needs to be manufactured in a clean environment with clean tool in order to be oxide free. Also, must be polished		DEBURR AND BREAK SHARP EDGES		DO NOT SCALE DRAWING		REVISION		
SURFACE FINISH:										
TOLERANCES:										
LINEAR: +/- 0.01 mm										
ANGULAR:										
	NAME	SIGNATURE	DATE			TITLE: Sample				
DRAWN										
CHK'D										
APPV'D										
MFG										
Q.A						MATERIAL: Stainless Steel		DWG NO. TPDSIMS Part 2		A3
						WEIGHT:		SCALE: 2:1		SHEET 1 OF 1



SECTION A-A
SCALE 1.5:1

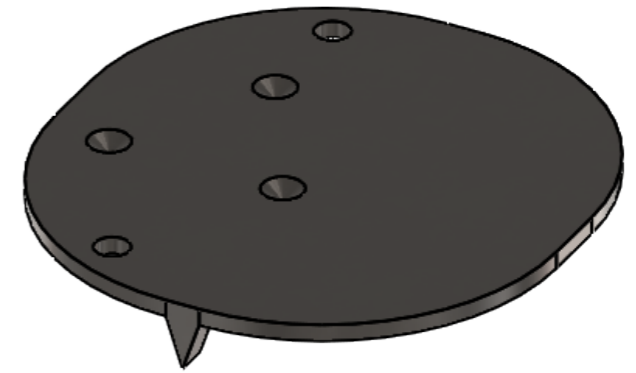
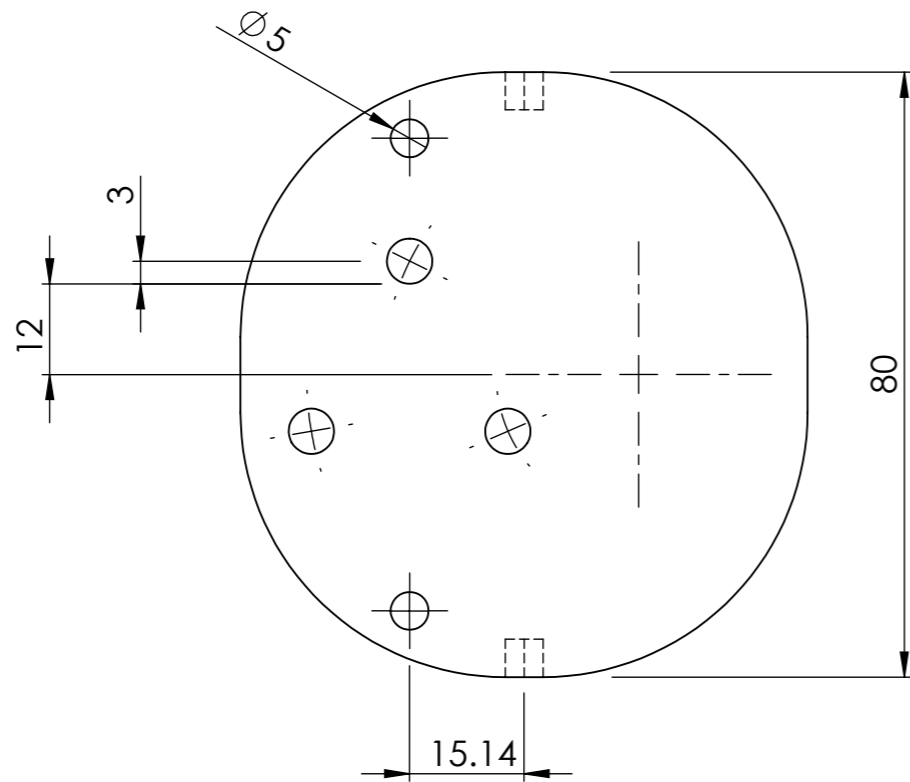
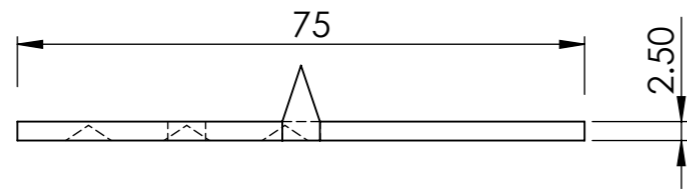
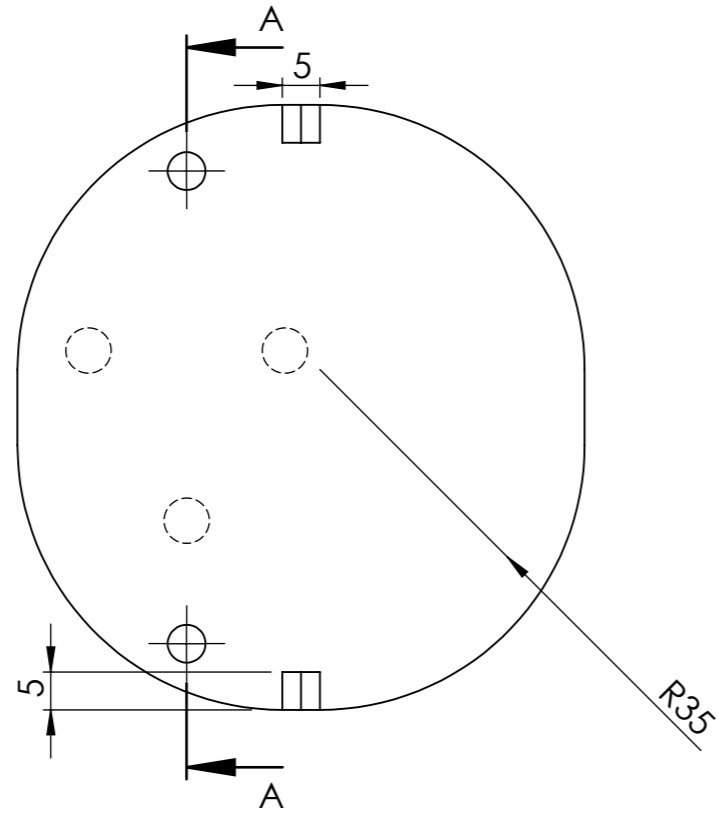
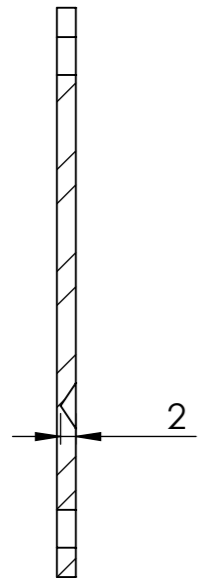
UNLESS OTHERWISE SPECIFIED: DIMENSIONS ARE IN MILLIMETERS SURFACE FINISH: TOLERANCES: +/- 0.02 LINEAR: ANGULAR:				FINISH:		DEBURR AND BREAK SHARP EDGES		DO NOT SCALE DRAWING		REVISION	
DRAWN				NAME		SIGNATURE		DATE		TITLE:	
CHK'D										Sample Holder Base	
APPV'D											
MFG											
Q.A											
						MATERIAL:		Alumina		DWG NO. TPDSIMS Part 3	
						WEIGHT:				SCALE:1.5:1	
										SHEET 1 OF 1	

Sample Holder
Base

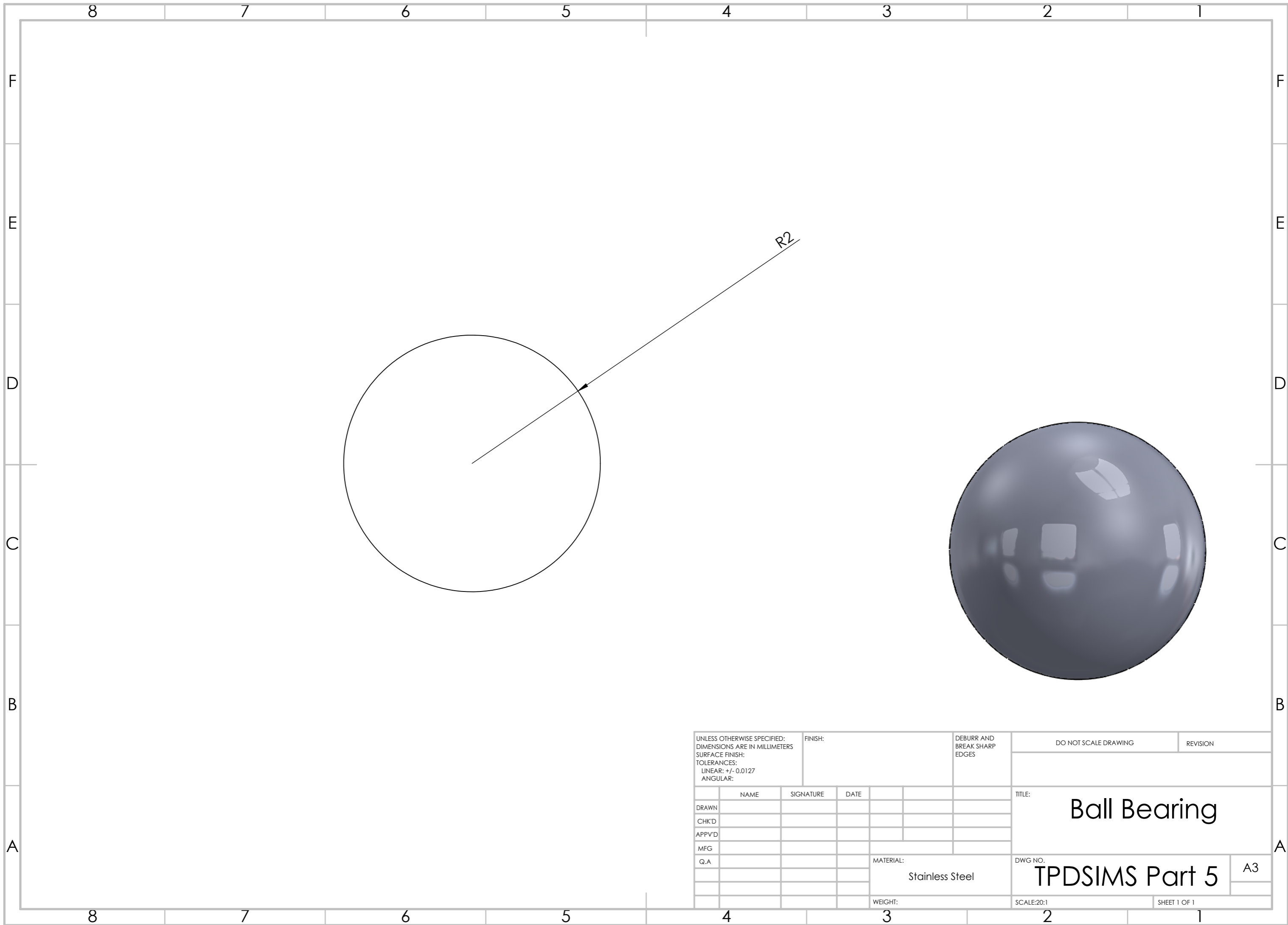
TPDSIMS Part 3

A3

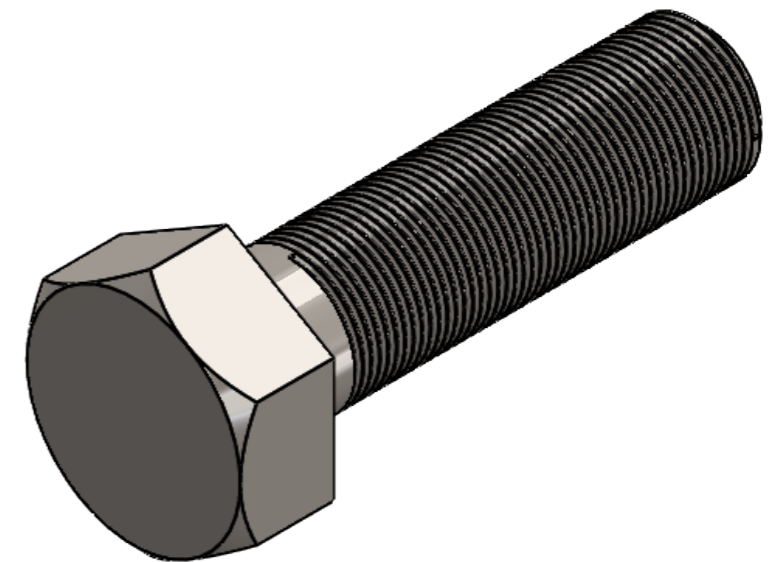
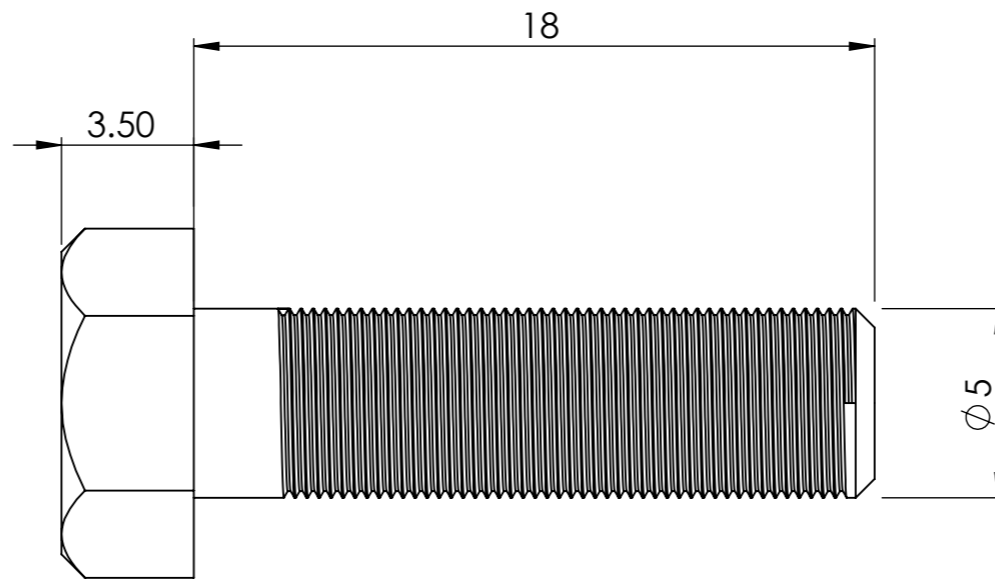
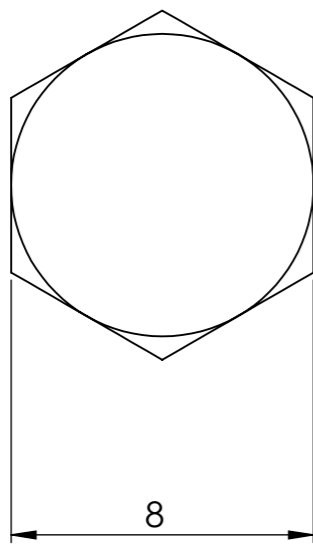
SECTION A-A



UNLESS OTHERWISE SPECIFIED: DIMENSIONS ARE IN MILLIMETERS		FINISH:		DEBURR AND BREAK SHARP EDGES		DO NOT SCALE DRAWING		REVISION	
SURFACE FINISH:									
TOLERANCES: +/- 0.1mm									
LINEAR:									
ANGULAR:									
	NAME	SIGNATURE	DATE			TITLE: Wedge			
DRAWN									
CHK'D									
APPV'D									
MFG									
Q.A						MATERIAL: Stainless Steel		DWG NO. TPDSIMS Part 4	
						WEIGHT:		SCALE:1:1	
								SHEET 1 OF 1	
								A3	



UNLESS OTHERWISE SPECIFIED: DIMENSIONS ARE IN MILLIMETERS SURFACE FINISH: TOLERANCES: LINEAR: +/- 0.0127 ANGULAR:				FINISH:		DEBURR AND BREAK SHARP EDGES		DO NOT SCALE DRAWING		REVISION	
DRAWN				NAME		SIGNATURE		DATE		TITLE: Ball Bearing	
CHK'D											
APPV'D											
MFG											
Q.A								MATERIAL: Stainless Steel		DWG NO. TPDSIMS Part 5	
								WEIGHT:		SCALE:20:1	
										SHEET 1 OF 1	
										A3	



UNLESS OTHERWISE SPECIFIED: DIMENSIONS ARE IN MILLIMETERS SURFACE FINISH: TOLERANCES: LINEAR: ANGULAR:				FINISH:		DEBURR AND BREAK SHARP EDGES		DO NOT SCALE DRAWING		REVISION	
DRAWN				NAME		SIGNATURE		DATE		TITLE: Clamp/Sample Screw	
CHK'D										DWG NO. TPDSIMS Part 6	
APPV'D										A3	
MFG								MATERIAL: Stainless Steel		SCALE:5:1	
Q.A								WEIGHT:		SHEET 1 OF 1	

8 7 6 5 4 3 2 1

F

F

E

E

D

D

C

C

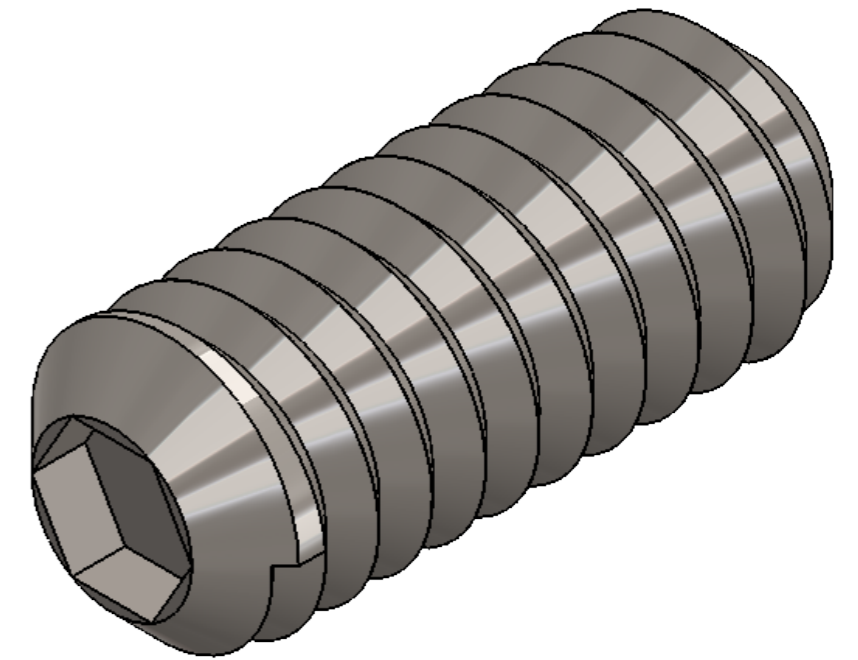
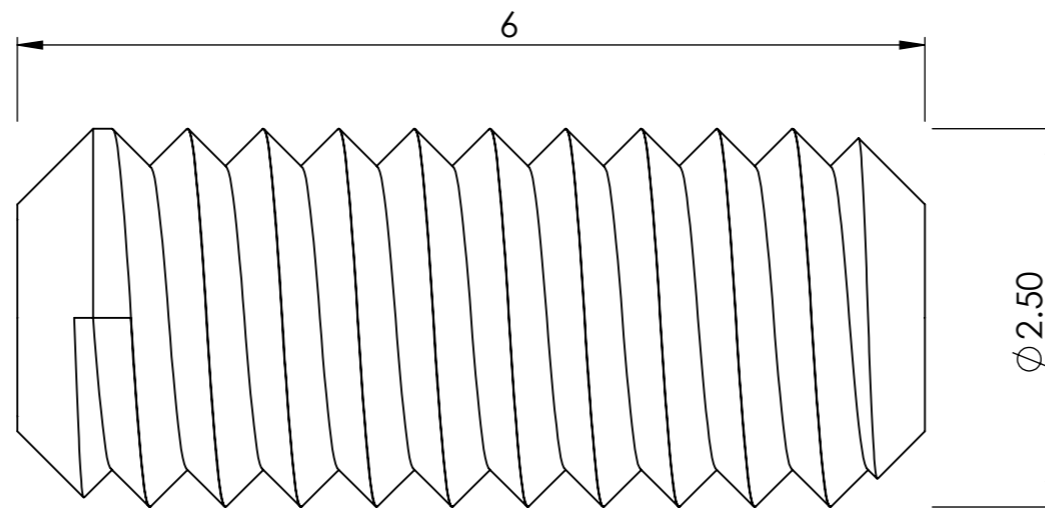
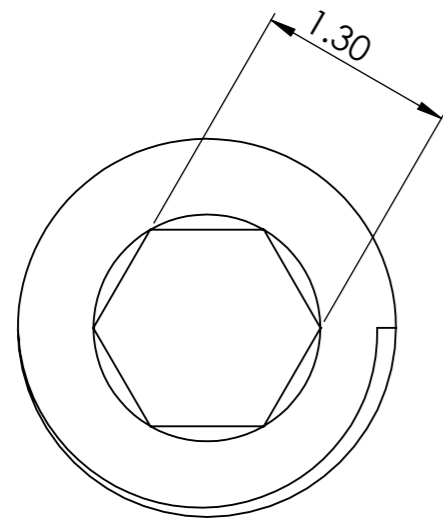
B

B

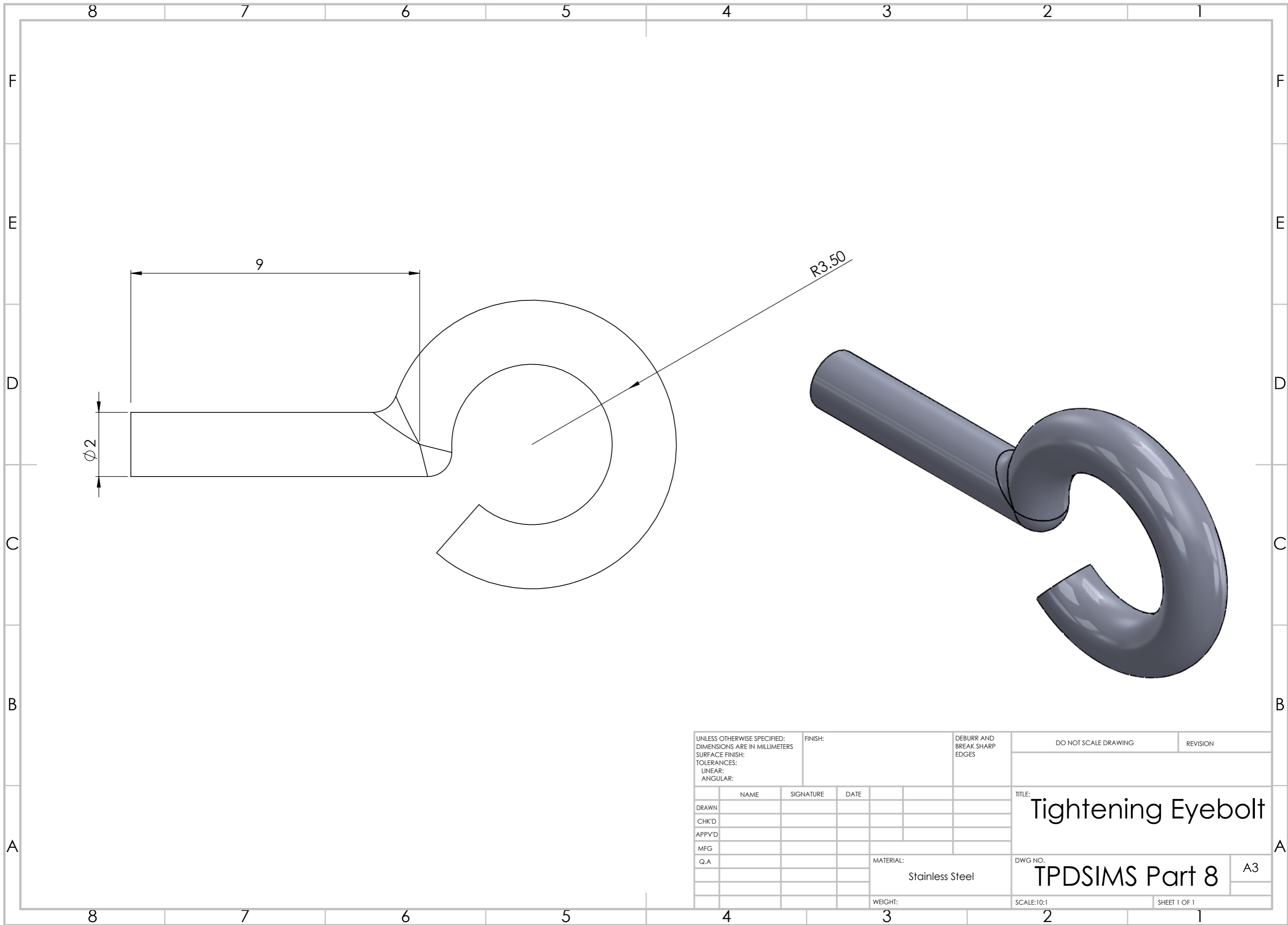
A

A

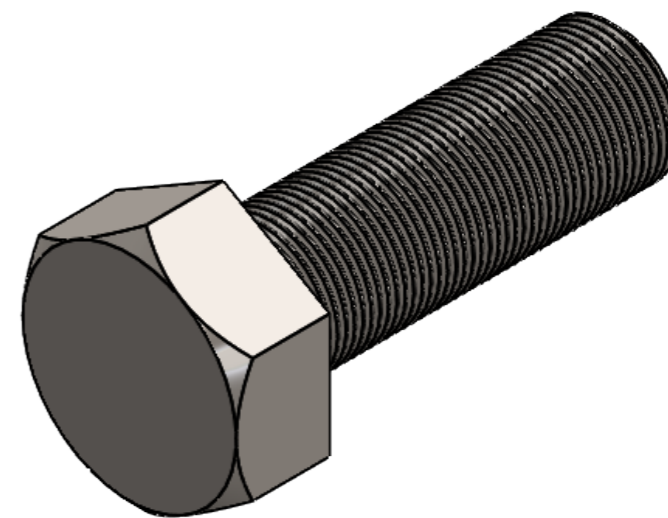
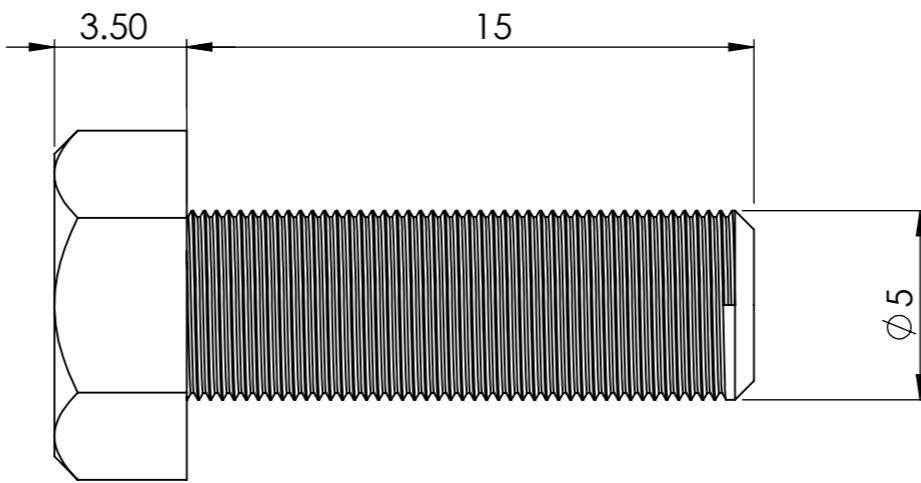
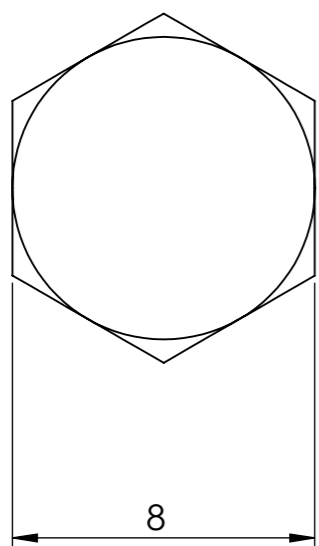
8 7 6 5 4 3 2 1



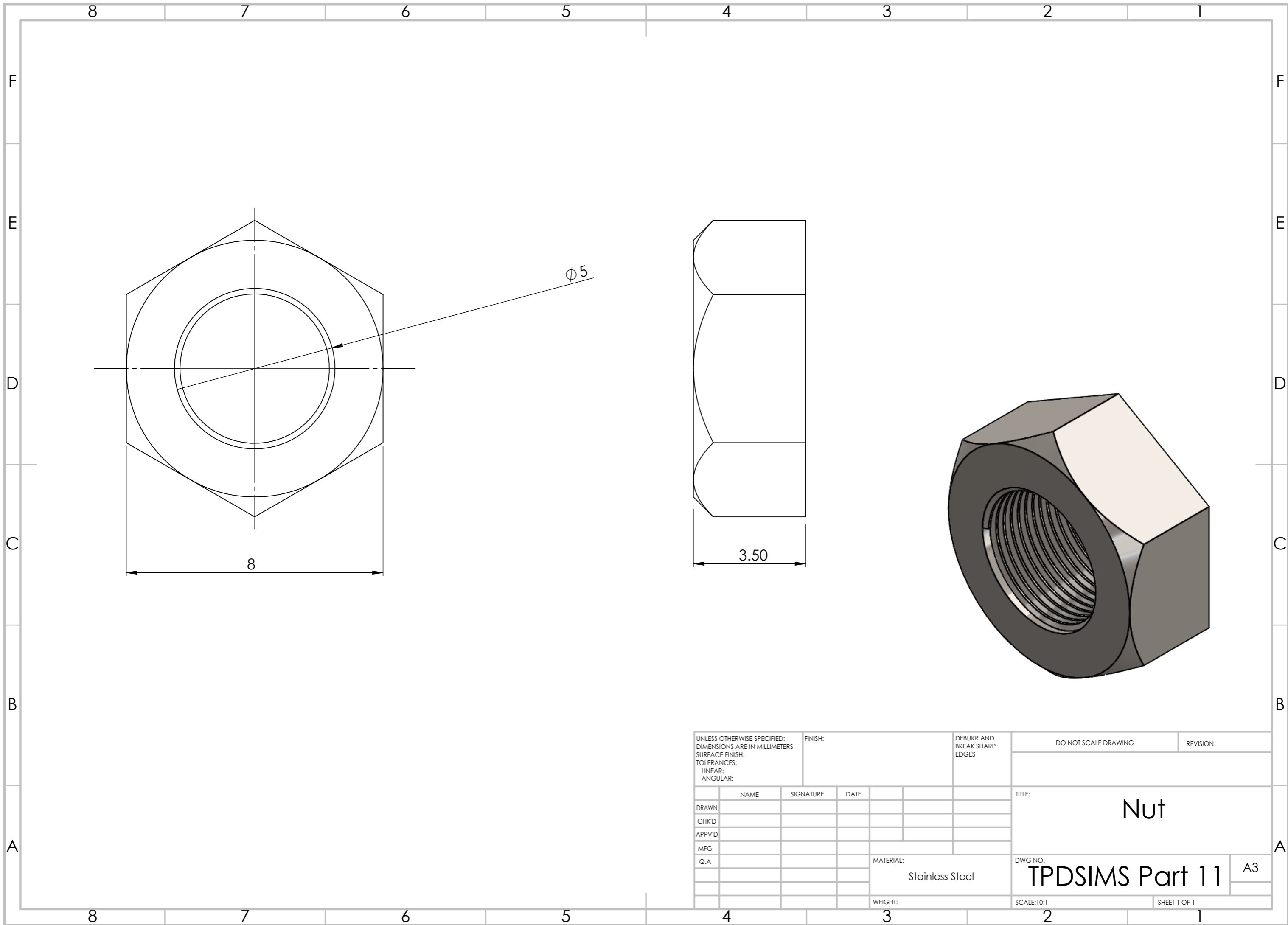
UNLESS OTHERWISE SPECIFIED: DIMENSIONS ARE IN MILLIMETERS SURFACE FINISH: TOLERANCES: LINEAR: ANGULAR:			FINISH:		DEBURR AND BREAK SHARP EDGES		DO NOT SCALE DRAWING		REVISION		
DRAWN			NAME		SIGNATURE		DATE		TITLE: Clamp/Power Wire Screw		
CHK'D									DWG NO. TPDSIMS Part 7		
APPV'D									MATERIAL: Stainless Steel		A3
MFG									WEIGHT:		SHEET 1 OF 1
Q.A									SCALE:10:1		



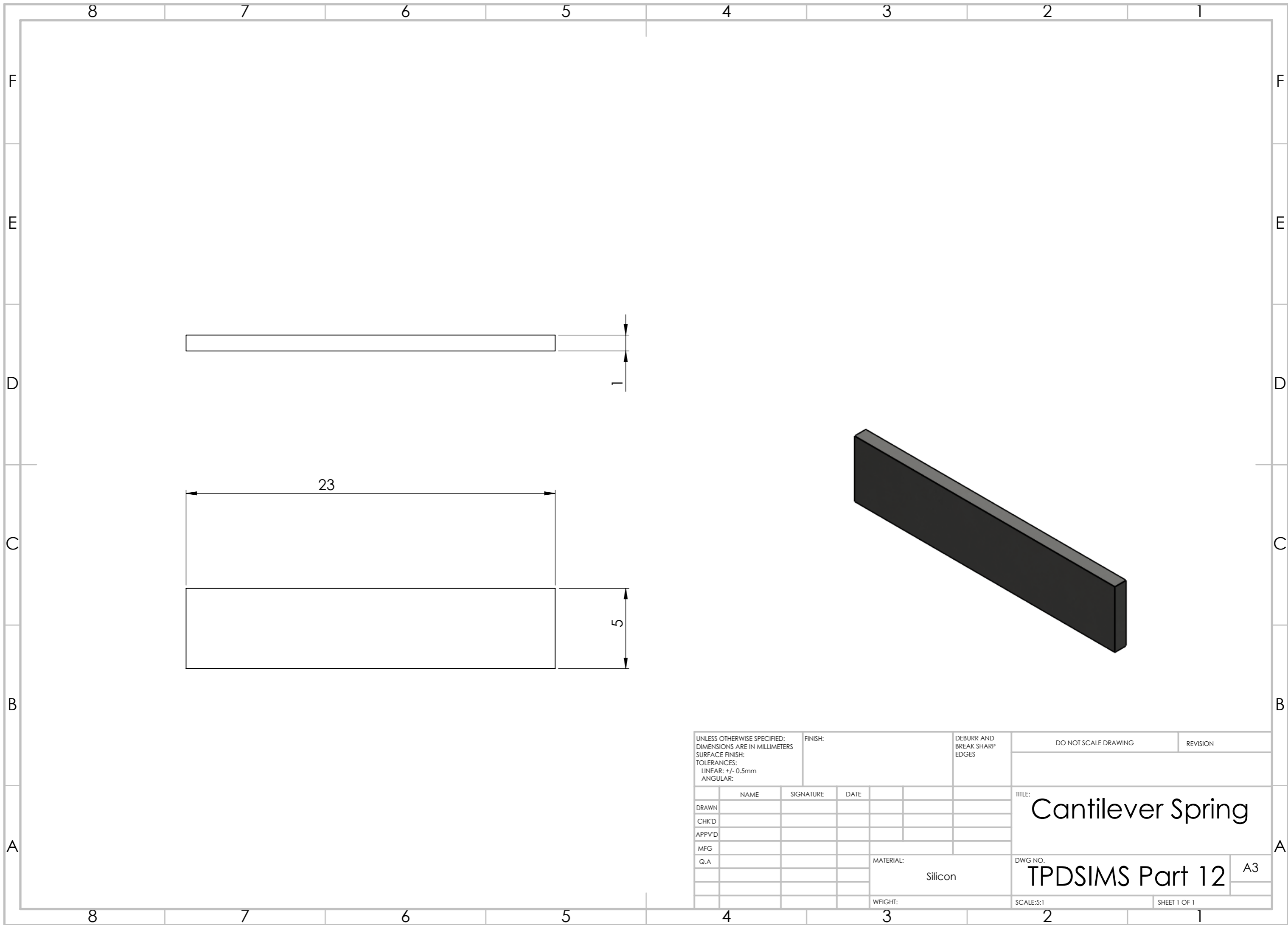
UNLESS OTHERWISE SPECIFIED: DIMENSIONS ARE IN MILLIMETERS SURFACE FINISH: TOLERANCES: LINEAR: ANGULAR:				FINISH:		DEBURR AND BREAK SHARP EDGES		DO NOT SCALE DRAWING		REVISION	
DRAWN				NAME		SIGNATURE		DATE		TITLE: Tightening Eyebolt	
CHK'D											
APPV'D											
MFG											
Q.A								MATERIAL: Stainless Steel		DWG NO. TPDSIMS Part 8	
								WEIGHT:		SCALE:10:1	
										SHEET 1 OF 1	
										A3	



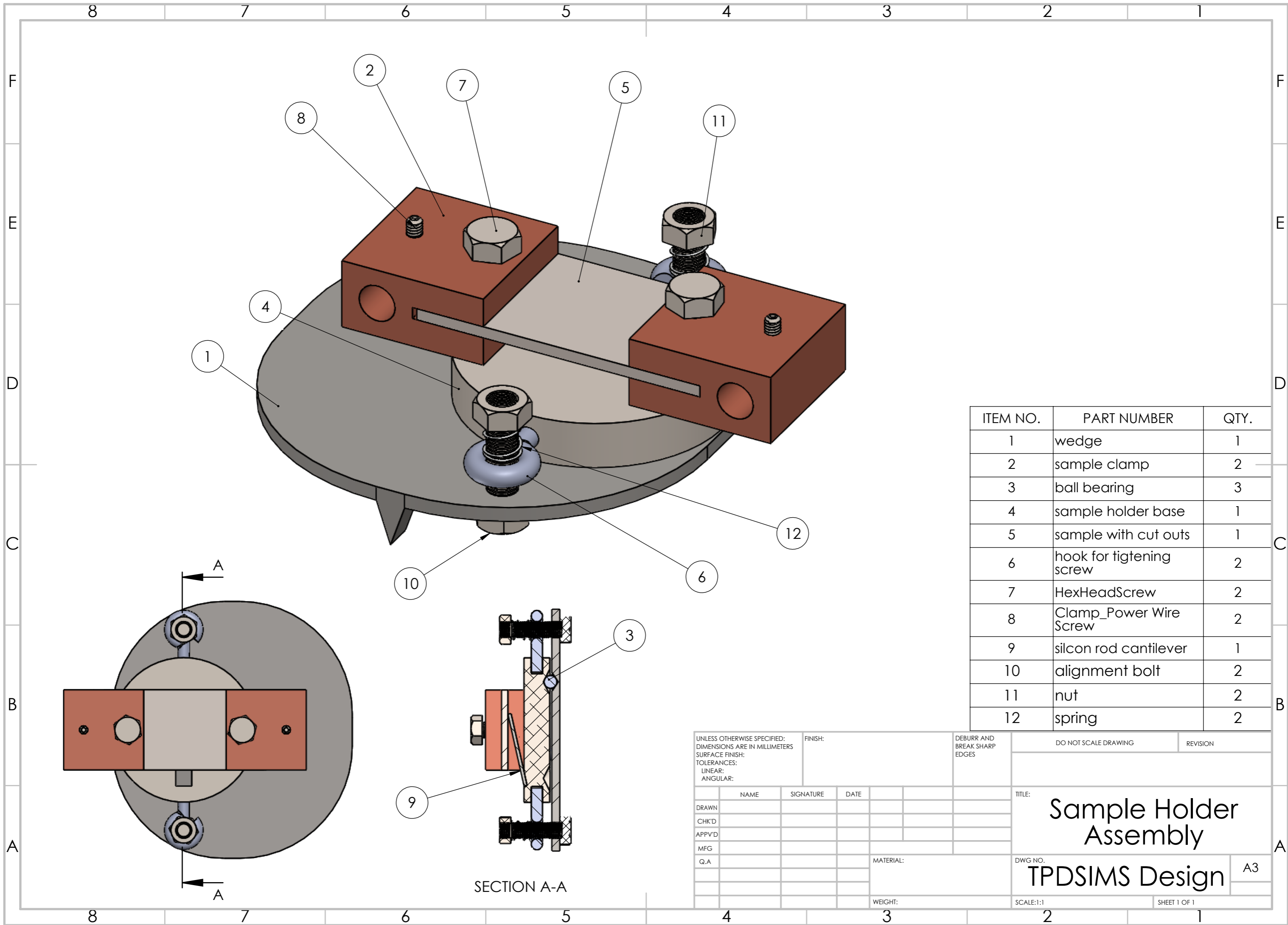
UNLESS OTHERWISE SPECIFIED: DIMENSIONS ARE IN MILLIMETERS SURFACE FINISH: TOLERANCES: LINEAR: ANGULAR:				FINISH:		DEBURR AND BREAK SHARP EDGES		DO NOT SCALE DRAWING		REVISION	
DRAWN				NAME		SIGNATURE		DATE		TITLE: Alignment Bolt	
CHK'D											
APPV'D											
MFG											
Q.A								MATERIAL:		DWG NO. TPDSIMS Part 10	
								WEIGHT:		SCALE:5:1	
										SHEET 1 OF 1	
										A3	



UNLESS OTHERWISE SPECIFIED: DIMENSIONS ARE IN MILLIMETERS SURFACE FINISH: TOLERANCES: LINEAR: ANGULAR:				FINISH:		DEBURR AND BREAK SHARP EDGES		DO NOT SCALE DRAWING		REVISION	
DRAWN				NAME		SIGNATURE		DATE		TITLE: Nut	
CHK'D											
APPV'D											
MFG											
Q.A								MATERIAL: Stainless Steel		DWG NO. TPDSIMS Part 11	
								WEIGHT:		SCALE:10:1	
										SHEET 1 OF 1	
										A3	

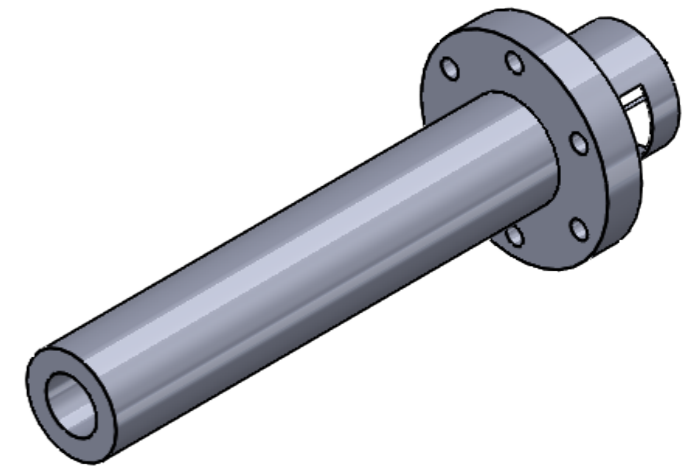
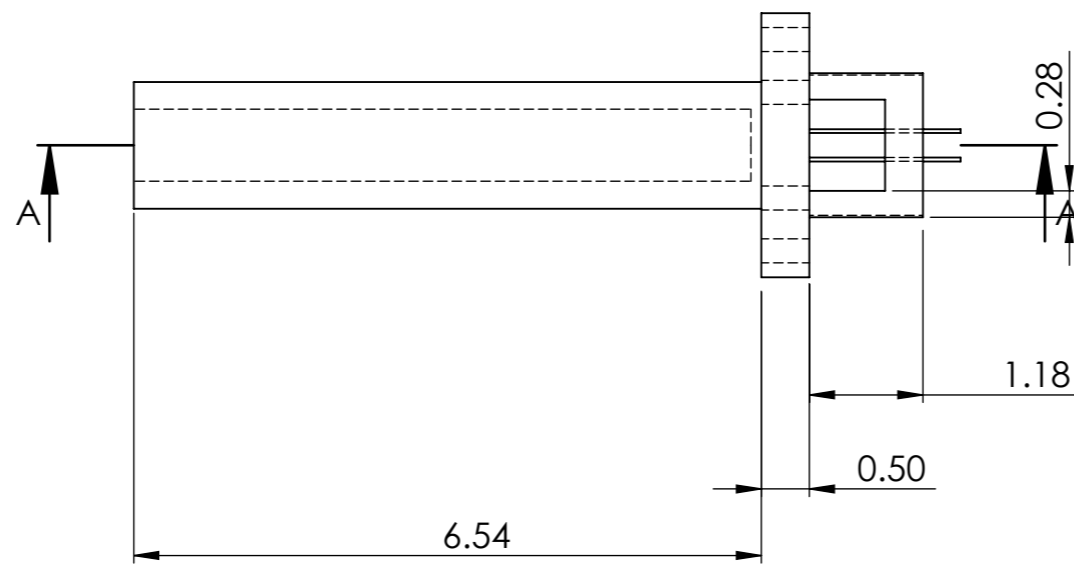
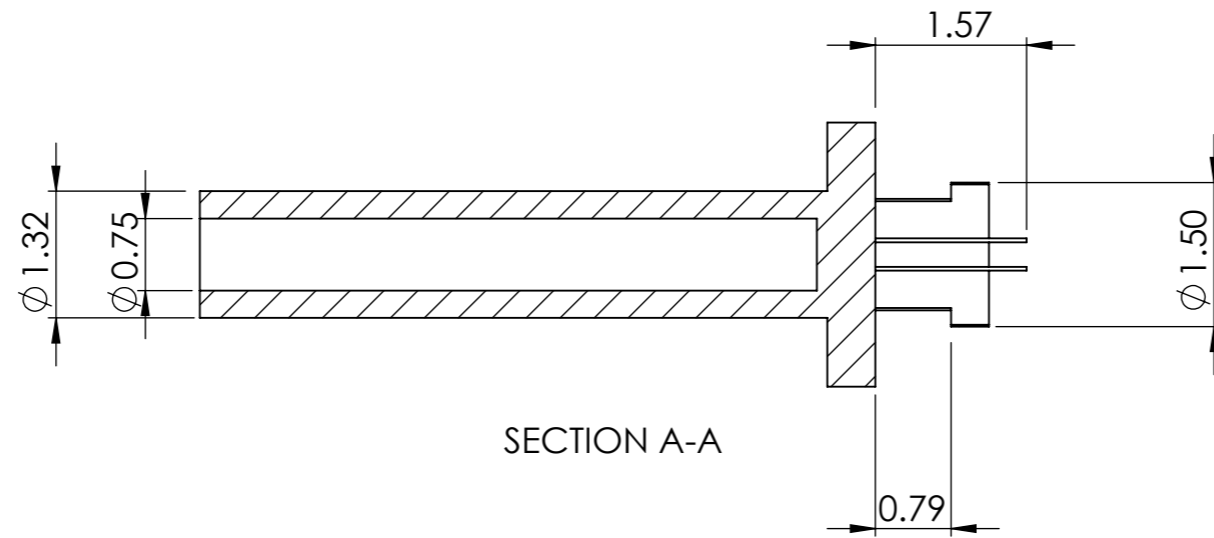
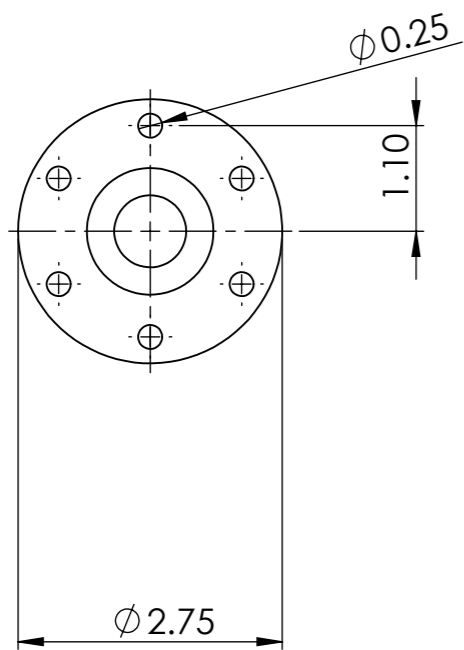


UNLESS OTHERWISE SPECIFIED: DIMENSIONS ARE IN MILLIMETERS SURFACE FINISH: TOLERANCES: LINEAR: +/- 0.5mm ANGULAR:				FINISH:		DEBURR AND BREAK SHARP EDGES		DO NOT SCALE DRAWING		REVISION	
								TITLE: Cantilever Spring			
DRAWN				NAME		SIGNATURE		DATE		DWG NO. TPDSIMS Part 12	
CHK'D										A3	
APPV'D										SCALE:5:1	
MFG										SHEET 1 OF 1	
Q.A								MATERIAL: Silicon		WEIGHT:	



ITEM NO.	PART NUMBER	QTY.
1	wedge	1
2	sample clamp	2
3	ball bearing	3
4	sample holder base	1
5	sample with cut outs	1
6	hook for tightening screw	2
7	HexHeadScrew	2
8	Clamp_Power Wire Screw	2
9	silcon rod cantilever	1
10	alignment bolt	2
11	nut	2
12	spring	2

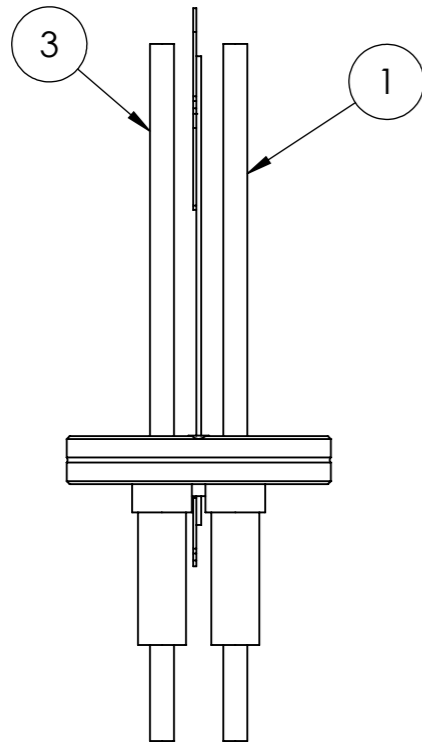
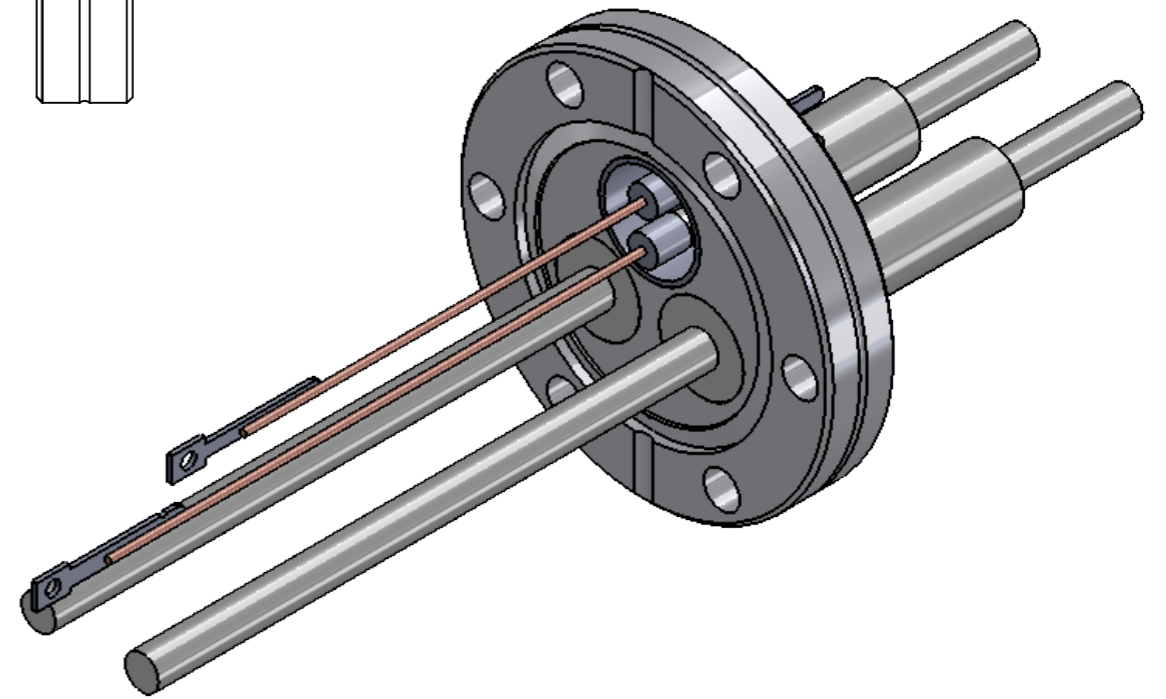
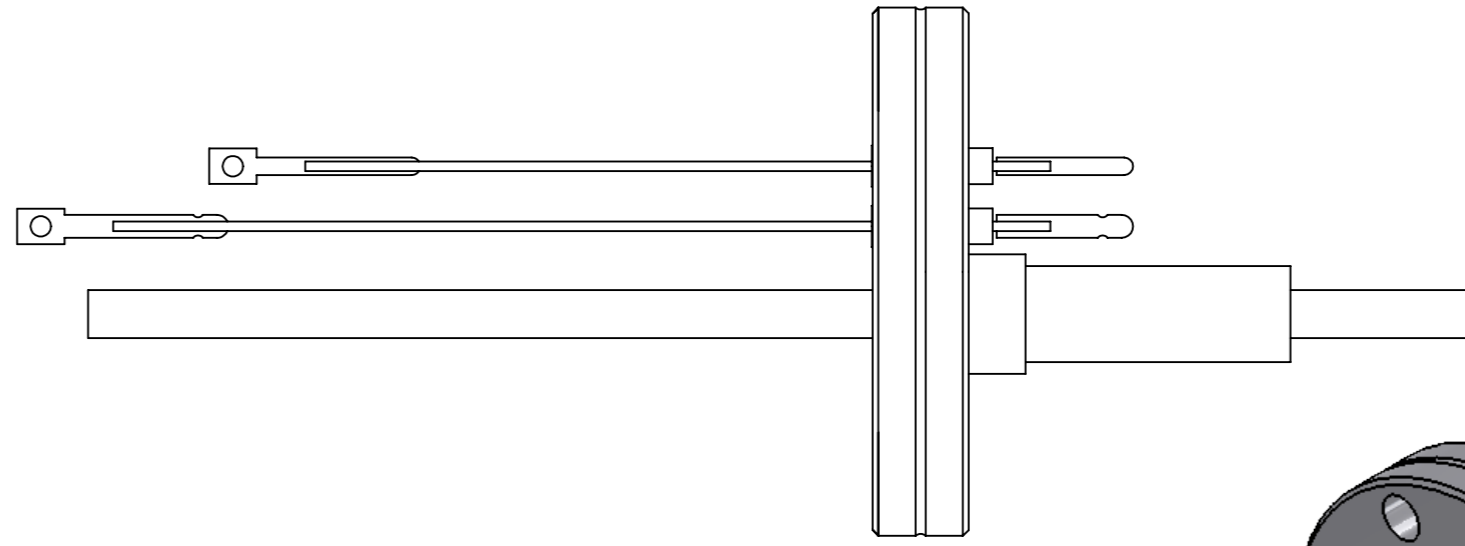
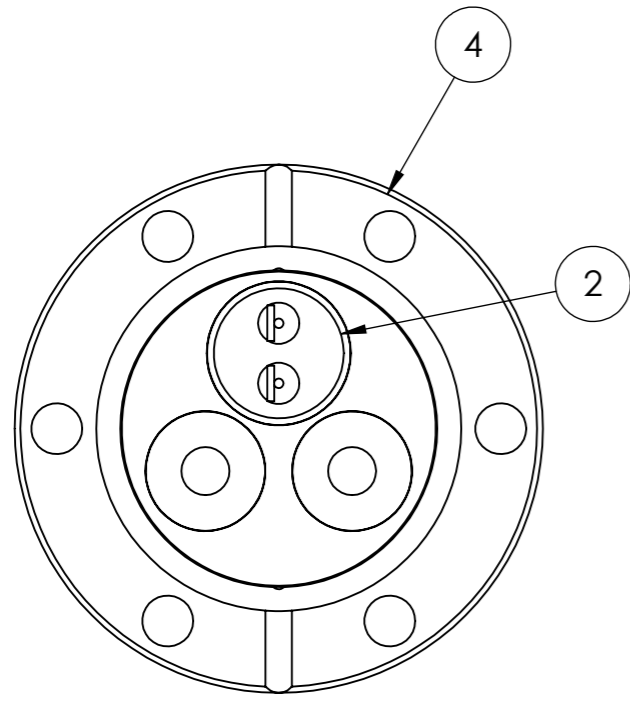
UNLESS OTHERWISE SPECIFIED: DIMENSIONS ARE IN MILLIMETERS SURFACE FINISH: TOLERANCES: LINEAR: ANGULAR:		FINISH:	DEBURR AND BREAK SHARP EDGES	DO NOT SCALE DRAWING	REVISION
DRAWN	NAME	SIGNATURE	DATE	TITLE: Sample Holder Assembly	
CHK'D				DWG NO. TPDSIMS Design	
APPV'D				A3	
MFG			MATERIAL:	SCALE:1:1	
Q.A			WEIGHT:	SHEET 1 OF 1	



UNLESS OTHERWISE SPECIFIED: DIMENSIONS ARE IN MILLIMETERS SURFACE FINISH: TOLERANCES: LINEAR: ANGULAR:				FINISH:		DEBURR AND BREAK SHARP EDGES		DO NOT SCALE DRAWING		REVISION	
DRAWN								TITLE: <h1>Flood Gun</h1>			
CHK'D											
APPV'D											
MFG											
Q.A											
MATERIAL:						DWG NO.		TPDSIMS Part 13		A3	
WEIGHT:						SCALE:1:2		SHEET 1 OF 1			

8 7 6 5 4 3 2 1

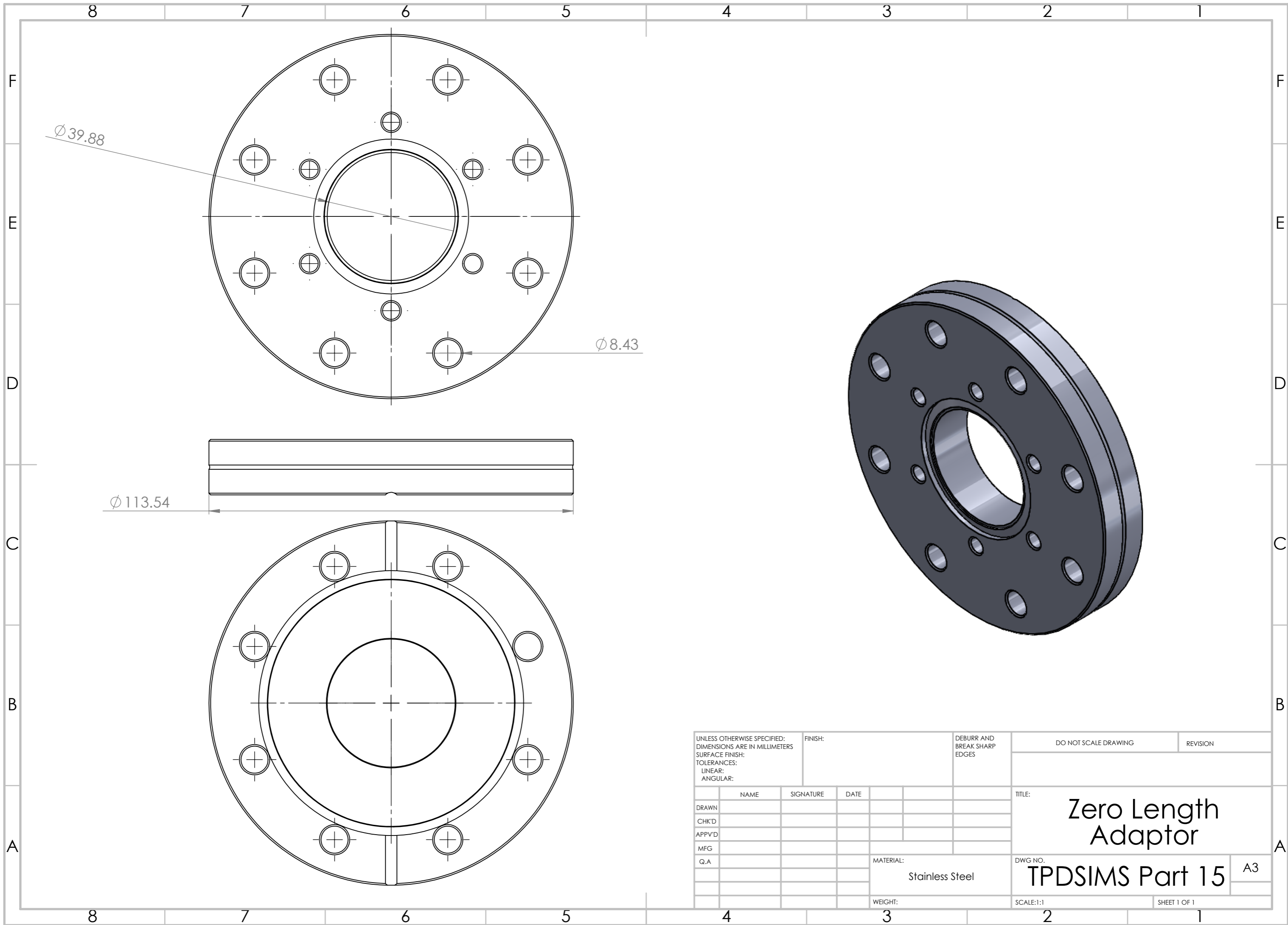
F
E
D
C
B
A



ITEM NO.	PART NUMBER	QTY.
1	F0275X000N	1
2	F0275X000N_2	1
3	F0275X000N_3	1
4	F0275X000N_4	1

UNLESS OTHERWISE SPECIFIED: DIMENSIONS ARE IN MILLIMETERS SURFACE FINISH: TOLERANCES: LINEAR: ANGULAR:			FINISH:		DEBURR AND BREAK SHARP EDGES		DO NOT SCALE DRAWING		REVISION		
DRAWN			NAME		SIGNATURE		DATE		TITLE: Thermocouple and Power Feedthrough		
CHK'D									DWG NO. TPDSIMS Part 14		
APPV'D									A3		
MFG									SCALE:1:2		
Q.A							MATERIAL:		SHEET 1 OF 1		
							WEIGHT:				

8 7 6 5 4 3 2 1



UNLESS OTHERWISE SPECIFIED: DIMENSIONS ARE IN MILLIMETERS SURFACE FINISH: TOLERANCES: LINEAR: ANGULAR:			FINISH:		DEBURR AND BREAK SHARP EDGES		DO NOT SCALE DRAWING		REVISION		
DRAWN			NAME		SIGNATURE		DATE		TITLE: Zero Length Adaptor		
CHK'D									DWG NO. TPDSIMS Part 15		
APPV'D									SCALE:1:1		
MFG									SHEET 1 OF 1		
Q.A							MATERIAL: Stainless Steel		A3		
							WEIGHT:				